

# FREEPORT FOUNTAINS

August 19, 2019

Ms. Christina Semeraro  
City of Coconut Creek  
4800 West Copans Rd.  
Coconut Creek, FL 33063

Re: Design-Build North & South Splash Pads  
City of Coconut Creek RFQ#05-28-19-01

Dear Ms. Semeraro,

We are pleased to offer our proposal on the fountains for the Coconut Creek Splash Pads project. Our proposed scope of work includes:

- Furnishing and installing the mechanical and electrical fountain equipment including:
  - Play structures and ground jets as illustrated in the attached conceptual plans
  - An actuator bollard for each splash pad
  - Drains at each feature
  - Valve manifolds with manual and automatic valves for each splash pad
  - A controller for each splash pad
  - Equipment is identified on the Waterplay drawings and material attached as exhibits hereto
- Furnishing and installing discharge piping between the valve manifolds and the splash pads. The valve manifolds will be located within 10' of the edge of each splash pad and will be housed in underground valve box type enclosure.
- Furnishing and installing wire and conduit between the fountain controllers and the automatic valves and actuator bollards. The fountain controller will be located above grade adjacent to each valve manifold enclosure.
- Constructing a poured in place concrete slab on grade for each splash pad, to include:
  - 1,750 sq. ft. of deck at the Community Center splash pad constructed from two integral colors in the earth tone range *chosen from the attached Scofield Integral Color SG Color Chart A-322.05.*
  - 3,500 sq. ft. of deck at the Recreation Complex splash pad constructed from two integral colors in the earth tone range *chosen from the attached Scofield Integral Color SG Color Chart A-322.05.*



- A 750 sq. ft., 4' wide natural gray concrete deck surrounding the Community Center splash pad
- A 1,000 sq. ft., 4' wide natural gray concrete deck surrounding the Recreational Complex splash pad
- Furnishing and installing a 5' tall black plastic coated chain link fence around each Splash Pad deck with one gate per Splash Pad. Total quantity of fencing is 470 ft.
- Furnishing and installing five Umbrella Shade structures, as identified on drawing #0173405 attached as an exhibit hereto.
- Layout of work from center points and x/y axis lines provided by the City.
- Providing mechanical, electrical and structural engineering drawings and equipment submittals.
- Start up and adjustment of the mechanical and electrical fountain systems.
- Providing operation and maintenance manuals (three copies) and a walk-through on maintenance procedures for maintenance personnel.
- Providing a one year equipment and workmanship warranty.

Any items not explicitly included above are excluded from our scope of work. Some specific conditions and exclusions are:

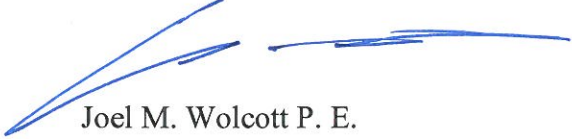
- Potable water lines are understood to be existing within 100' of each splash pad valve manifold location and not deeper than 3 feet below existing grade, and are suitable and available to be tapped into for providing water supply to each splash pad.
- Appropriate sewer drain lines or structures are understood to be existing within 50' of each splash pad location and not deeper than 3 feet below existing grade, and are suitable and available to be tapped into for drainage for the water from each splash pad.
- A source of electrical power for each splash pad controller (120 volt, 20 amp.) is understood to be existing within 50' of each valve manifold location.
- The existing ground is understood to be suitable to support the construction of the splash pad concrete slabs and piping, and no import or export of fill is included in the scope of work.
- Landscaping work is limited to replacement of grass which may be damaged during construction.
- Assuming a fully executed agreement and notice to proceed not later than September 20, 2019, the timeframe for substantial completion of the Recreational Complex splash pad feature is on or before December 20, 2019; and the Community Center splash pad feature is on or before February 27, 2020., predicated on City submittal approvals and permitting durations as indicated on the attached schedule dated 22 Aug 2019.

Our price to perform the above is **\$600,000.00**. This proposal is good for 90 days.

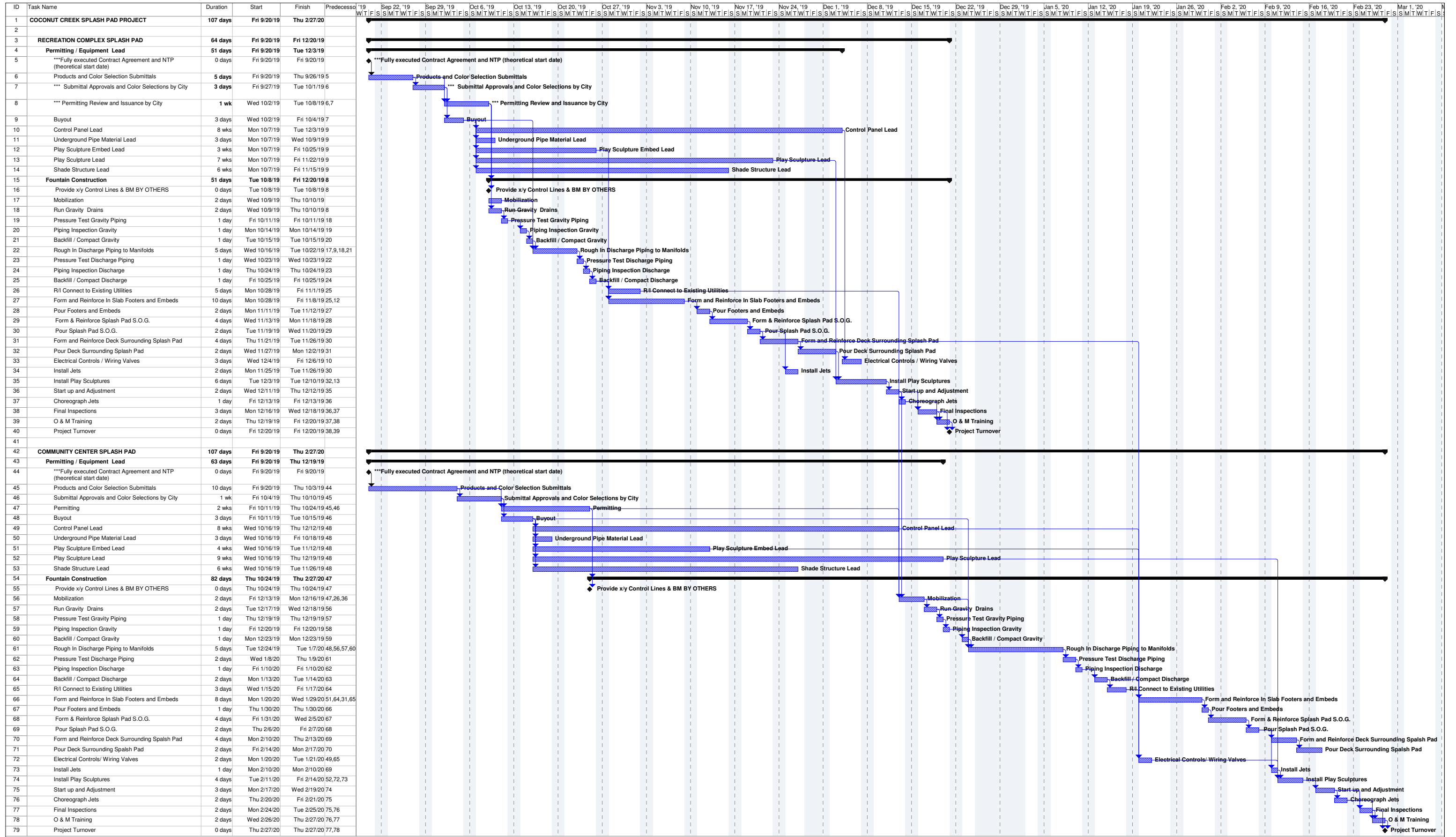
Coconut Creek Splash Pads  
August 19, 2019  
Page 3

Please do not hesitate to contact us if you have any questions on the above. We look forward to working with you on this project.

Sincerely,  
FREEPORT FOUNTAINS, LLC.

A handwritten signature in blue ink, consisting of several overlapping strokes that form the name 'Joel M. Wolcott'.

Joel M. Wolcott P. E.  
Vice President



Project: Coconut Creek Splash Pads - Date: Thu 8/22/19

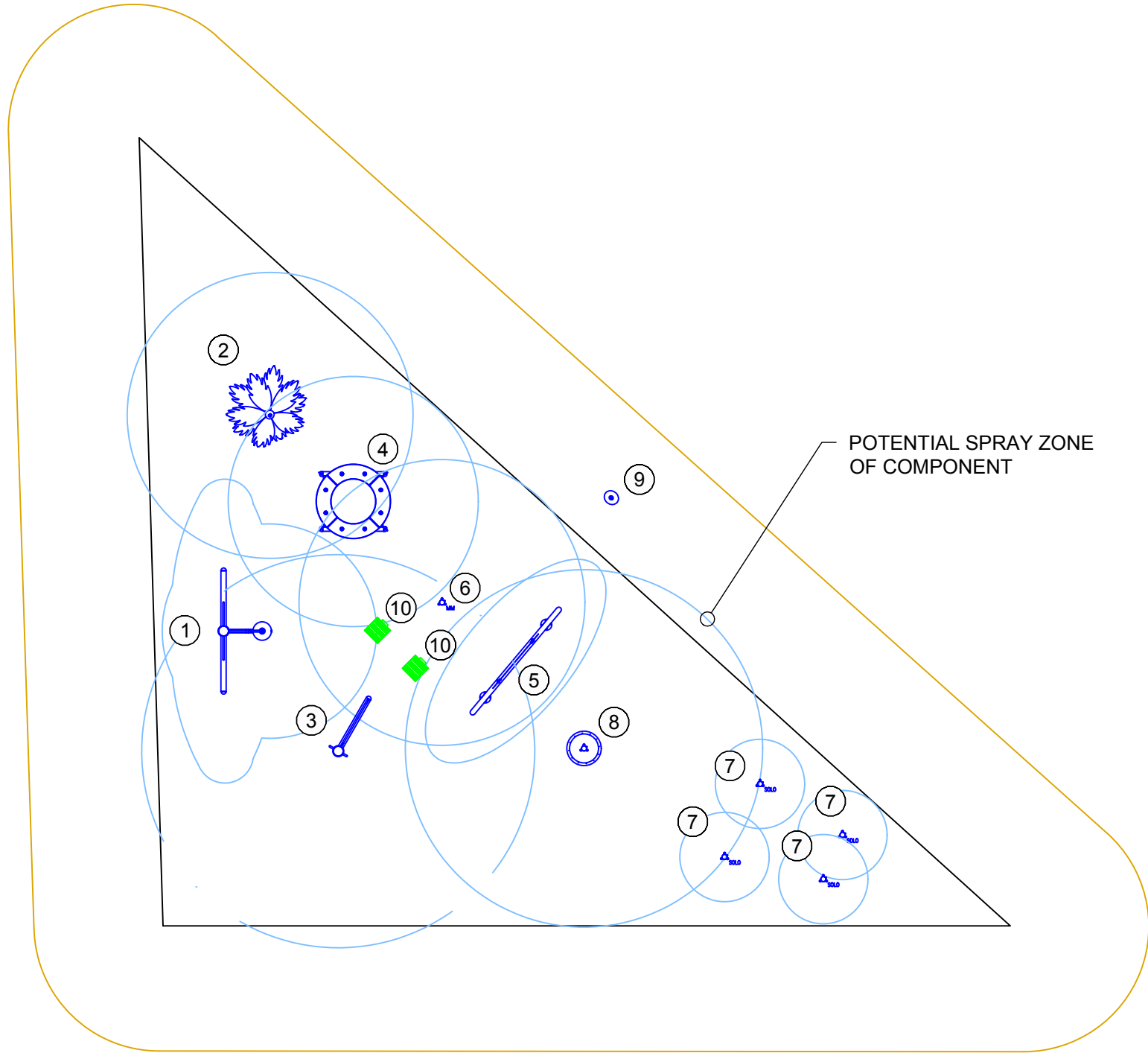
Task	Roll Up Task	Split	Group By Summary	Manual Task	Manual Summary	External Tasks	Deadline
Milestone	Roll Up Milestone	External Tasks	Inactive Milestone	Duration-only	Start-only	External Milestone	
Summary	Roll Up Progress	Project Summary	Inactive Summary	Manual Summary Rollup	Finish-only	Progress	

Conceptual Task Schedule - Estimated Durations      No Allowance for Weather

ITEM	SKU	COMPONENT NAME	QTY
1	0010-0690	FS CROWS NEST	1
2	0010-1682	FS POLY PALM WINDY	1
3	0010-1551	FS SAIL AWAY SPIN 1	1
4	0010-2654	GS BUOY SPRAY	1
5	0010-2321	FS O-RIGINAL	1
6	C02-313	GS MISTY MOUNTAIN	1
7	C02-337	GS SOLO SPURT	4
8	0002-9553	GS PUDDLE 2	1
9	0010-1854	ACTIVATOR: POWER POST	1
10	DRA-00003	DRAIN: COMBO 3"-4" OUTLET (GREY)	2

LOCAL REGULATIONS MAY REQUIRE THE USE OF IMPACT ATTENUATING SURFACES FOR SOME INSTALLATIONS - CHECK LOCAL CODES PRIOR TO FINAL DESIGN AND INSTALLATION.

**NOT FOR CONSTRUCTION PURPOSES**



11 x 17 plot

FOR INFORMATION PURPOSES ONLY. LOCAL LANDSCAPE ARCHITECT, ENGINEER &/OR APPROPRIATE AUTHORITIES HAVING JURISDICTION MUST COMPLETE ALL PARK LAYOUT, MECHANICAL & ELECTRICAL DESIGN PRIOR TO CONSTRUCTION.

DESIGNED BY:  
WATERPLAY SOLUTIONS CORP

DWG NAME: WATERPLAY CONCEPTUAL LAYOUT SHEET 1/2

SCALE: 1/8" = 1'-0" DRAWN BY: JS DATE: FEB 25/19 REV #: 0

PATH: \\SALES\PROJECTS\ACTIV

FOLDER: E PROJECTS\COCONUT CREEK COMMUNITY CE

**COCONUT CREEK - COMMUNITY CENTER FL**

REV	DESCRIPTION	REV BY	REV DATE
1	REPLACED THE POP-IT FEATURES WITH SOLO SPURTS		MAY 24/19

**waterplay**  
Solutions Corp.

1451B ELLIS STREET, KELOWNA BC, CANADA V1Y 2A3  
TEL. (250) 712-3393 FAX (250) 861-4814  
EMAIL info@waterplay.com



<b>Controller</b>	Potable	<b>Coconut Creek, FL - Community Centre Preliminary Valve Assignment by Waterplay</b>	<b>Date:</b>	24-May-2019
<b>Water Distribution</b>	Wall Mount Manifold		<b>Created by:</b>	Theresa L
<b>Diverter Strainer System</b>	No		<b>Number of Activators:</b>	1
<b>UV System</b>	No			
<b>Controller Upgrade</b>	No			
<b>Installation Area</b>	US			

Component Selection				Nozzle Information per Component									Recommended Flow Rate		Recommended Pressure		*Minimum Line Size	
Leg #	Part Number	Component Name	QTY	Nozzle 1			Nozzle 2			Nozzle 3			[gpm]	[lpm]	[psi]	[kPA]	[in]	[mm]
				PN	Nozzle 1	Qty Noz 1	PN	Nozzle 2	Qty Noz 2	PN	Nozzle 3	Qty Noz 3						
1	0010-0690	FS: CROW'S NEST	1	-	Sneaky Soaker Arm	1	NOZ-08089	3/4" - Fan Spray	10				8	30	2	14	1.0 in	25 mm
2	0010-1682	FS: POLY PALM (WINDY)	1	0010-0413	Mushroom Top Nozzle	1			0				3	11	9	62	1.0 in	25 mm
3	0010-1551	FS: SAIL AWAY SPIN 1	1	NOZ-08092	3/4" - Magnif-eye	5			0				4	15	5	34	1.0 in	25 mm
4	0010-2654	GS: BUOY SPRAY	1	0010-2662	1.5" - 6 Hole	8			0				12	45	5	34	1.5 in	40 mm
5	0010-2321	FS: O-RIGINAL	1	NOZ-08092	3/4" - Magnif-eye	5			0				6	23	3	21	1.0 in	25 mm
6	C02-313	GS: MISTY MOUNTAIN	1	NOZ-08023	2.5" - Fan Spray	1			0				1	4	10	69	1.0 in	25 mm
7	C02-337	GS: SOLO SPURT	1	NOZ-08031	2.5" - Solo Spurt	1			0				2	8	3	21	1.0 in	25 mm
8	C02-337	GS: SOLO SPURT	1	NOZ-08031	2.5" - Solo Spurt	1			0				2	8	3	21	1.0 in	25 mm
9	C02-337	GS: SOLO SPURT	1	NOZ-08031	2.5" - Solo Spurt	1			0				2	8	3	21	1.0 in	25 mm
10	C02-337	GS: SOLO SPURT	1	NOZ-08031	2.5" - Solo Spurt	1			0				2	8	3	21	1.0 in	25 mm
11	0002-9553	GS: PUDDLE 2	1	0002-9544	Nozzle Quarter Plate, Puddle 2	4			0				5	19	13	90	1.0 in	25 mm
12						0			0									#N/A
13						0			0									#N/A
14						0			0									#N/A
15						0			0									#N/A
16						0			0									#N/A
17						0			0									#N/A
18						0			0									#N/A
19						0			0									#N/A
20						0			0									#N/A
21						0			0									#N/A
22						0			0									#N/A
23						0			0									#N/A
24						0			0									#N/A
25						0			0									#N/A
26						0			0									#N/A
27						0			0									#N/A
28						0			0									#N/A
29						0			0									#N/A
30						0			0									#N/A
31						0			0									#N/A
32						0			0									#N/A
33						0			0									#N/A
34						0			0									#N/A

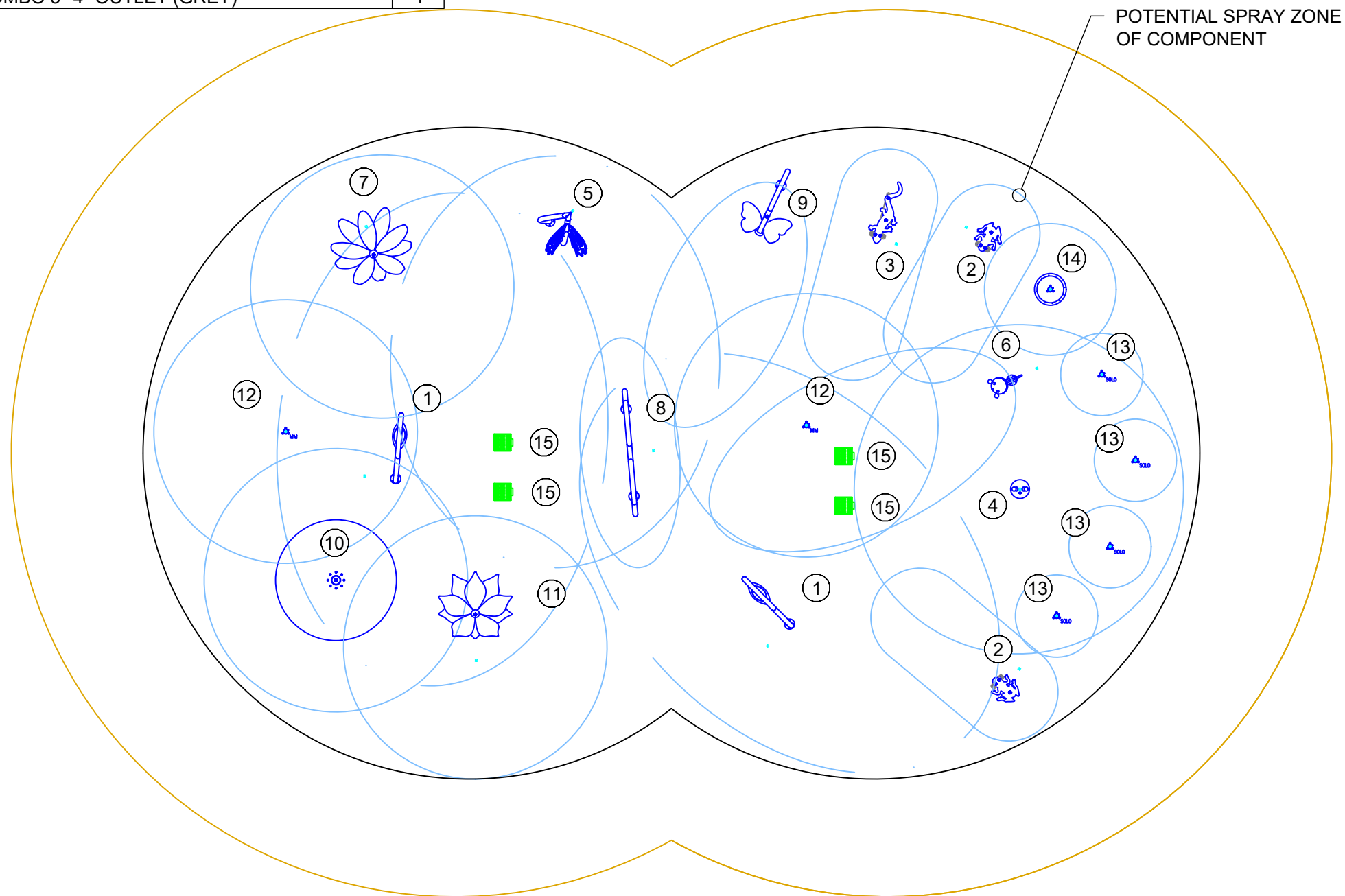
**Total PlayPHASE Bases:** 5 Note: This number does **NOT** include activators **Maximum Flow:** 47 178 \*based on a maximum pipe velocity of 8 fps

Notes:

ITEM	SKU	COMPONENT NAME	QTY
1	0010-1421	FS AQUA-DROP	2
2	0010-3737	GS FROG	2
3	0010-3742	GS GECKO	1
4	0003-1667	FS CRITTER 1	1
5	0010-1443	FS FLUTTER	1
6	0010-1731	FS CATERSPILLAR	1
7	0010-1655	FS DAISY MAE (WINDY)	1
8	0010-0368	FS FROGGIE-O	1
9	0010-1633	FS PAPILLON	1
10	0010-2420	FS RAIN CAP WITH POLKA DOTS	1
11	0010-1670	FS TRILLY LILLY (WINDY)	1
12	C02-313	GS MISTY MOUNTAIN	2
13	C02-337	GS SOLO SPURT	4
14	0002-8871	GS PUDDLE 1	1
15	DRA-00003	DRAIN: COMBO 3"-4" OUTLET (GREY)	4

LOCAL REGULATIONS MAY REQUIRE THE USE OF IMPACT ATTENUATING SURFACES FOR SOME INSTALLATIONS - CHECK LOCAL CODES PRIOR TO FINAL DESIGN AND INSTALLATION.

**NOT FOR CONSTRUCTION PURPOSES**



11 x 17 plot

FOR INFORMATION PURPOSES ONLY. LOCAL LANDSCAPE ARCHITECT, ENGINEER &/OR APPROPRIATE AUTHORITIES HAVING JURISDICTION MUST COMPLETE ALL PARK LAYOUT, MECHANICAL & ELECTRICAL DESIGN PRIOR TO CONSTRUCTION.

DESIGNED BY:  
WATERPLAY SOLUTIONS CORP

DWG NAME: WATERPLAY CONCEPTUAL LAYOUT SHEET 1/2

SCALE: 1/8" = 1'-0"	DRAWN BY: TL	DATE: MAY 24/19	REV #: 0
------------------------	-----------------	--------------------	-------------

PATH  
\\SALES\PROJECTS\ACTIV

FOLDER:  
E PROJECTS\COCONUT CREEK COMMUNITY CE

# COCONUT CREEK - RECREATION COMPLEX FL

DESCRIPTION	REV BY	REV DATE



805 CROWLEY AVE, KELOWNA BC, CANADA V1Y 7G6  
TEL. (250) 712-3393 FAX (250) 861-4814  
EMAIL info@waterplay.com

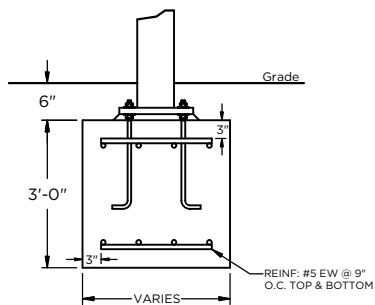
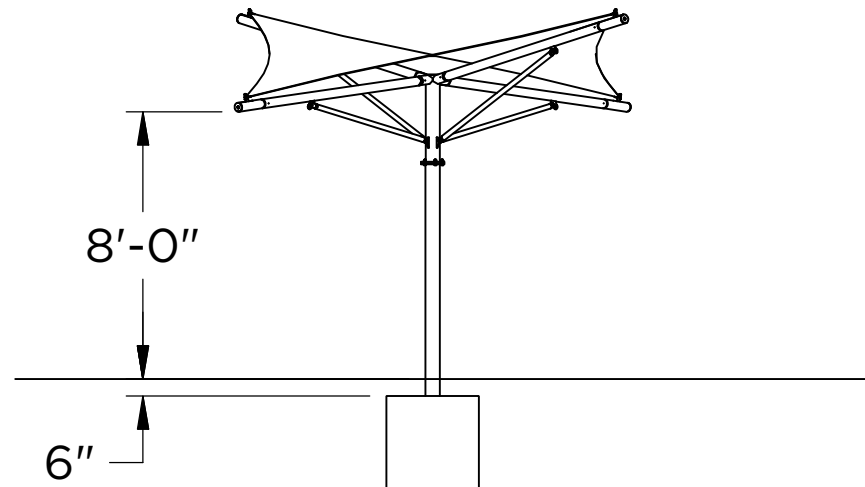
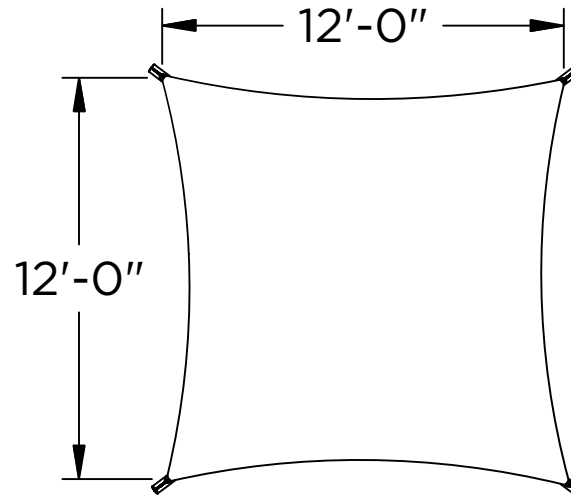


<b>Controller</b>	Potable	<b>Coconut Creek, FL - Recreation Complex Preliminary Valve Assignment by Waterplay</b>	
<b>Water Distribution</b>	Wall Mount (Integrated)		
<b>Diverter Strainer System</b>	No		
<b>UV System</b>	No		
<b>Controller Upgrade</b>	Yes		
<b>Installation Area</b>	US	<b>Date:</b>	24-May-2019
		<b>Created by:</b>	Theresa L
		<b>Number of Activators:</b>	1

Component Selection				Nozzle Information per Component									Recommended Flow Rate		Recommended Pressure		*Minimum Line Size		
Leg #	Part Number	Component Name	QTY	Nozzle 1			Nozzle 2			Nozzle 3			[gpm]	[lpm]	[psi]	[kPA]	[in]	[mm]	
				PN	Nozzle 1	Qty Noz 1	PN	Nozzle 2	Qty Noz 2	PN	Nozzle 3	Qty Noz 3							
1	0010-1421	FS: AQUA-DROP	1	-	Open Flow	1			0			5	19	6	41	1.0 in	25 mm		
2	0010-1421	FS: AQUA-DROP	1	-	Open Flow	1			0			5	19	6	41	1.0 in	25 mm		
3	0010-3737	GS FROG	1	0002-7011	1.5" - Solo Spurt	1	0002-7012	1.5" - Directional Spurt	2			3	11	5	34	1.0 in	25 mm		
4	0010-3737	GS FROG	1	0002-7011	1.5" - Solo Spurt	1	0002-7012	1.5" - Directional Spurt	2			3	11	5	34	1.0 in	25 mm		
5	0010-3742	GS: GECKO	1	0010-2661	1.5" - Slanty Spray	2	0010-2660	1.5" - Straight up	2			8	30	5	34	1.0 in	25 mm		
6	0003-1667	FS: CRITTER 1	1	0003-1616	1.5" - 6 Hole	1			0			2	8	15	103	1.0 in	25 mm		
7	0010-1443	FS: FLUTTER	1	0002-4892 + 0002-5949	Flutter	1			0			10	38	7	48	1.5 in	40 mm		
8	0010-1731	FS: CATERSPILLAR	1	NOZ-08092	3/4" - Magnif-eye	4	NOZ-08092	3/4" - Magnif-eye	1			5	19	3	21	1.0 in	25 mm		
9	0010-1655	FS: DAISY MAE (WINDY)	1	0010-0413	Mushroom Top Nozzle	1			0			3	11	5	34	1.0 in	25 mm		
10	0010-0368	FS: FROGGIE-O	1	NOZ-08092	3/4" - Magnif-eye	5			0			6	23	3	21	1.0 in	25 mm		
11	0010-1633	FS: PAPILLON	1	0010-0413	Mushroom Top Nozzle	1	NOZ-08089	3/4" - Fan Spray	3			8	30	9	62	1.0 in	25 mm		
12	0010-2420	FS: RAIN CAP (POLKA DOTS)	1	0010-0413	Mushroom Top Nozzle	1			0			5	19	9	62	1.0 in	25 mm		
13	0010-1670	FS: TRILLY LILLY (WINDY)	1	0010-0413	Mushroom Top Nozzle	1			0			3	11	5	34	1.0 in	25 mm		
14	C02-313	GS: MISTY MOUNTAIN	1	NOZ-08023	2.5" - Fan Spray	1			0			1	4	10	69	1.0 in	25 mm		
15	C02-313	GS: MISTY MOUNTAIN	1	NOZ-08023	2.5" - Fan Spray	1			0			1	4	10	69	1.0 in	25 mm		
16	C02-337	GS: SOLO SPURT	2	NOZ-08031	2.5" - Solo Spurt	1			0			4	15	3	21	1.0 in	25 mm		
17	C02-337	GS: SOLO SPURT	2	NOZ-08031	2.5" - Solo Spurt	1			0			4	15	3	21	1.0 in	25 mm		
18	0002-8871	GS: PUDDLE 1	1	0002-9545	Nozzle Quarter Plate, Puddle 1	4			0			5	19	13	90	1.0 in	25 mm		
19						0			0								#N/A		
20						0			0								#N/A		
21						0			0								#N/A		
22						0			0								#N/A		
23						0			0								#N/A		
24						0			0								#N/A		
25						0			0								#N/A		
26						0			0								#N/A		
27						0			0								#N/A		
28						0			0								#N/A		
29						0			0								#N/A		
30						0			0								#N/A		
31						0			0								#N/A		
32						0			0								#N/A		
33						0			0								#N/A		
34						0			0								#N/A		
<b>Total PlayPHASE Bases:</b>			11	Note: This number does <b>NOT</b> include activators										<b>Maximum Flow:</b>		81	307	*based on a maximum pipe velocity of 8 fps	

Notes:





Footings Detail

ESTIMATED FOOTINGS: 3.3' X 3.3' X 3'

**SHADE**  
BY SUPERIOR RECREATIONAL PRODUCTS

PROJECT NAME  
**COCONUT CREEK SPLASH PADS**

QUOTE  
**QUO0173405**

TITLE  
**Proposal**

DATE  
**03/07/19**

SCALE  
**Not to Scale**

DRAWN BY  
**JSJ**

SHEET  
**1 of 1**

*These drawings are for reference only and should not be used as construction details. They show the general character and rough dimensions of the structural features. Superior Recreation Products is not responsible for deviation of final shade dimensions. All final dimensions must be verified in the field by the customer. Exact spans, fasteners, materials, and foundations can be determined by a licensed professional engineer upon request.*



# SCOFIELD® Integral Color SG Standard Grade

an economical blend of synthetic iron oxide pigments  
conveniently packaged for coloring ready-mixed  
concrete or manufactured concrete products



## COLOR CHART A - 322.05

<b>SG160-1</b> Sunset Red	<b>SG160-2</b> Sunrise Red	<b>SG160-4</b> Red Brick	<b>SG237-1</b> Sand Buff	<b>SG237-2</b> Coronado Buff
<b>SG677-4</b> Roast Chestnut	<b>SG677-2</b> Ripe Chestnut	<b>SG677-1</b> Soft Chestnut	<b>SG078-2</b> Pueblo Brown	<b>SG078-1</b> Chapparal
<b>SG130-1</b> Latte	<b>SG130-2</b> Chocolate	<b>SG117-4</b> Winter Rose	<b>SG117-2</b> Summer Rose	<b>SG117-1</b> Spring Rose
<b>SG860-1</b> Metallic Gray	<b>SG860-2</b> Cobble Gray	<b>SG860-5</b> Dark Granite	<b>SG084-1</b> Hay Fields	<b>SG447-1</b> Prairie Beige
<b>SG641-1</b> Taos Tan	<b>SG641-2</b> Aztec Tan	<b>SG641-3</b> Spanish Tan	<b>SG084-2</b> Wheat Fields	<b>SG447-2</b> Schooner Beige
<b>SG134-1</b> Southern Clay	<b>SG134-2</b> Sante Fe Clay	<b>SG134-4</b> Roman Clay	<b>SG084-3</b> Autumn Amber	<b>SG447-3</b> Golden Beige

Colors shown approximate the color of broom-finished concrete flatwork made with medium-gray cement. Concrete color is altered by many factors, including cement and aggregate color, slump, finishing practices and curing method. Using the contemplated materials and construction techniques, representative samples should be cast for approval, especially when color matching is important, when special finishes are specified, or when placing vertical concrete.

**Concrete should be batched, placed and cured in accordance with Tech-Data Bulletin A-314.**

© L. M. Scofield Company 2009 – All rights reserved.  
SCOFIELD, and , are trademarks of L. M. Scofield Company.

**FOR PROFESSIONAL USE ONLY**

**L. M. Scofield Company**  
**Headquarters for Western USA and International**  
6533 Bandini Boulevard, Los Angeles, CA USA 90040  
voice: 323 720 3000 fax: 323 720 3030

**Headquarters for Eastern USA**  
4155 Scofield Road, Douglasville, GA USA 30134  
voice: 770 920 6000 fax: 770 920 6060

**Worldwide availability and support**